

WXB6018

SPEC SHEET

Lasercut Hex Design

MRT Slam-shut Locks

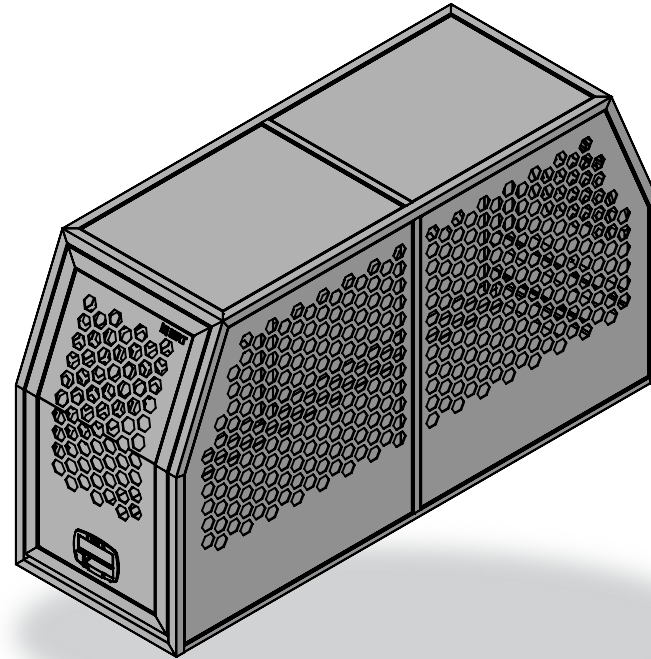
- Single Grab Handle •Concealed Plate
- Spring Latches •Concealed Latches

2x Gas Struts per door

Tailored to Profile-match MRT Canopies

Optional Internal Divider Door

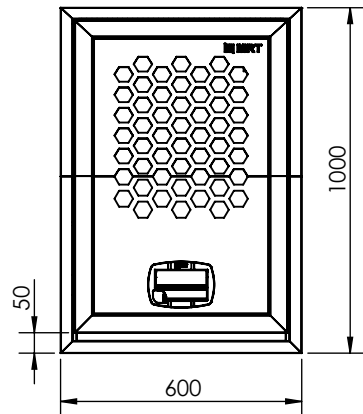
Powder-coat options



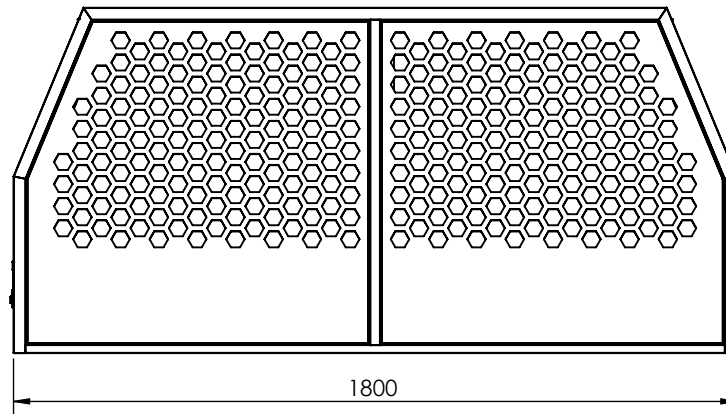
SPECIFICATIONS

1800mm x 600mm x 1000mm

Heavy Duty Aluminium



FRONT VIEW



SIDE VIEW