

# MRT19

SPEC SHEET

## FEATURES

Fully Seam Welded

Strong Key Lockable Paddle Lock

Piano Type Hinges

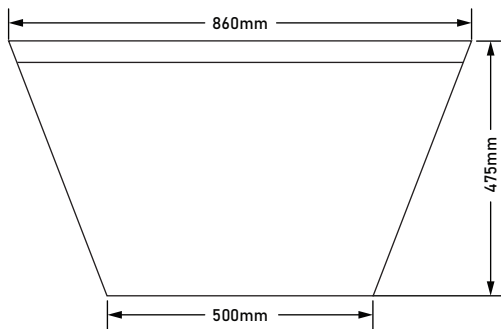
Gas Strut



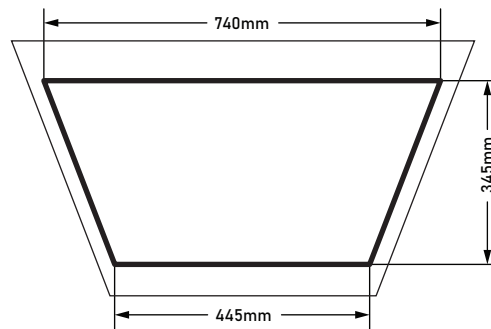
## SPECIFICATIONS

860/480mm x 460mm x 460mm

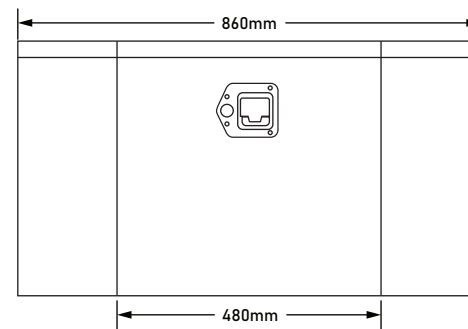
Heavy Duty 2mm Aluminium



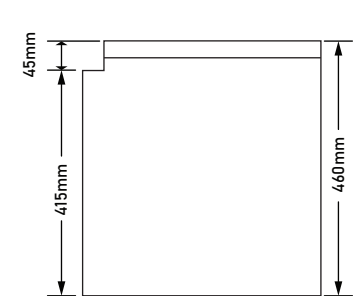
TOP VIEW



FRONT WITHOUT DOOR



FRONT VIEW



SIDE VIEW

MODEL ID: MRT19