

MSXD-500

SPEC SHEET

Modular shelving unit - MSXD-500

- Overall size - 500x760x500mm
- 1 x Narrow shelf
- 1 x Narrow drawer unit
- 2 x Wide drawer units

Shelf internal space dimensions

- SXA500-DN - 442x350mm

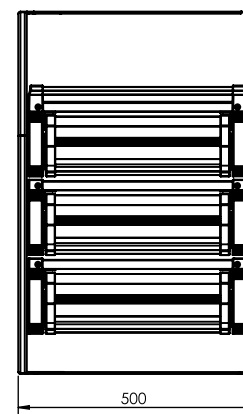
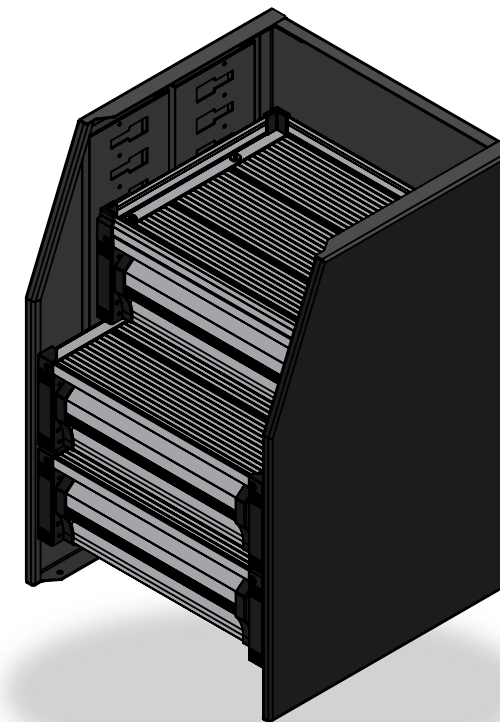
(Lip heights - 35mm)

Drawer internal space dimensions

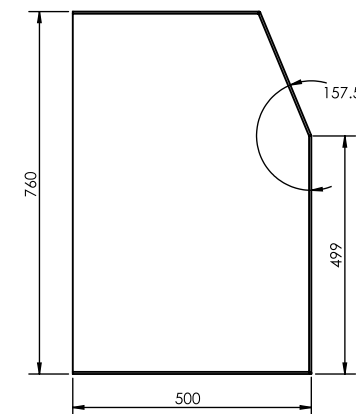
- SXA500-DW - 350x421x121mm
- SXA500-DN - 350x301x121mm

This set Includes:

- 1 x SXA-EF Modular shelving End frame set
- 1 x SXA500-BS Modular shelving 500mm Back Section
- 2 x SXA500-DW Modular shelving 500mm Drawer unit (Wide)
- 1 x SXA500-DN Modular shelving 500mm Drawer unit (Narrow)
- 1 x SXA500-LKN Lip kit for 500mm drawer (Narrow)



FRONT VIEW



SIDE VIEW