

MSXC-500

SPEC SHEET

Modular shelving unit - MSXC-500

- Overall size - 500x760x500mm
- 1 x Narrow shelf
- 1 x Wide shelf
- 2 x Wide drawer units

Shelf internal space dimensions

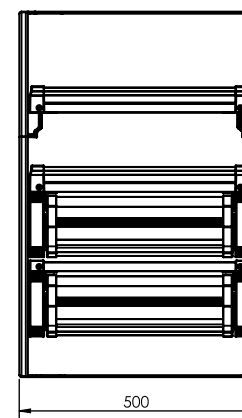
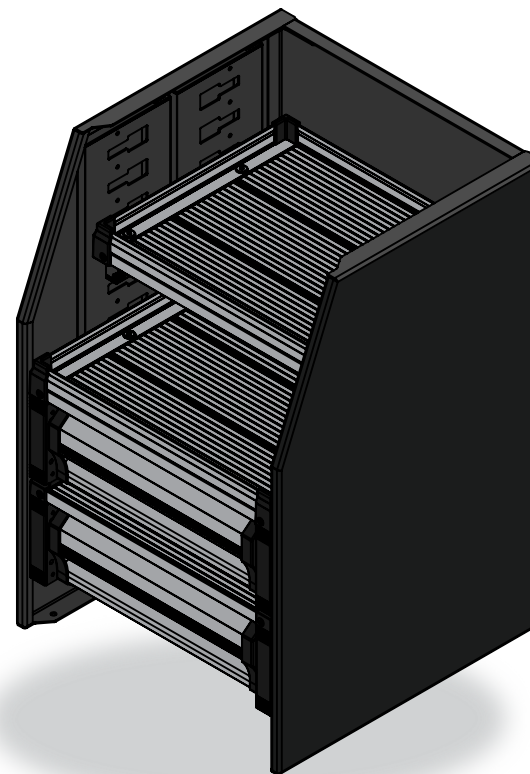
- SXA500-SN - 442x350mm
 - SXA500-DW - 442x470mm
- (Lip heights - 35mm)

Drawer internal space dimensions

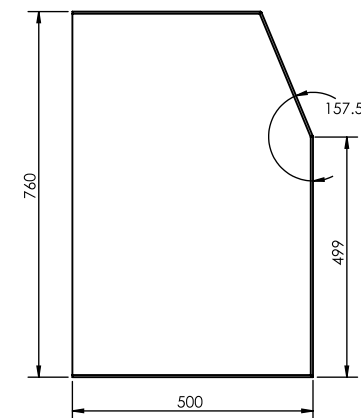
- SXA500-DW - 350x421x121mm

This set Includes:

- 1 x SXA-EF Modular shelving End frame set
- 1 x SXA500-BS Modular shelving 500mm Back Section
- 2 x SXA500-DW Modular shelving 500mm Drawer unit (Wide)
- 1 x SXA500-SN Modular shelving 500mm Shelf (Narrow)
- 1 x SXA500-LKW Lip kit for 500mm drawer (Wide)



FRONT VIEW



SIDE VIEW