

MSXC-1000

SPEC SHEET

Modular shelving unit - MSXC-1000

- Overall size - 1000x760x500mm
- 1 x Narrow shelf
- 1 x Wide shelf
- 2 x Wide drawer units

Shelf internal space dimensions

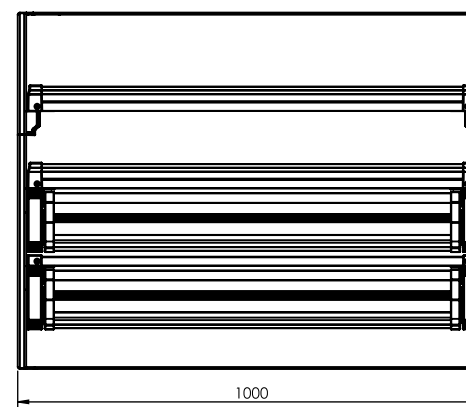
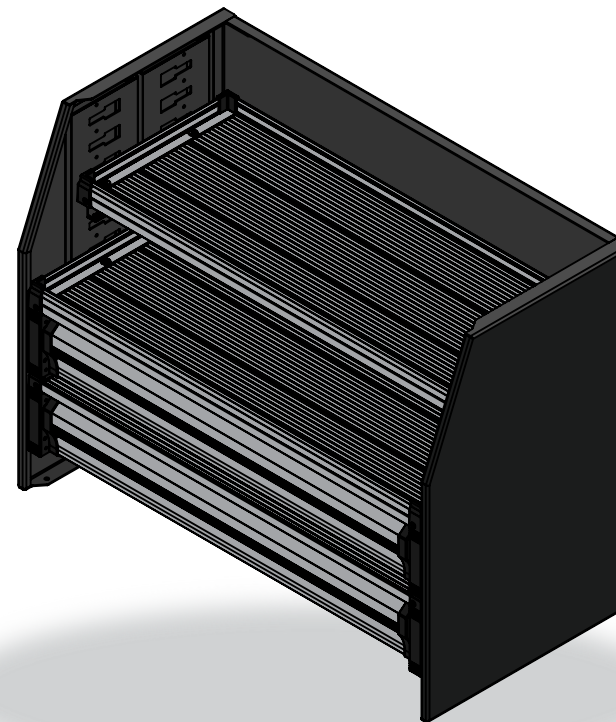
- SXA1000-SN - 942x350mm
 - SXA1000-DW - 942x470mm
- (Lip heights - 35mm)

Drawer internal space dimensions

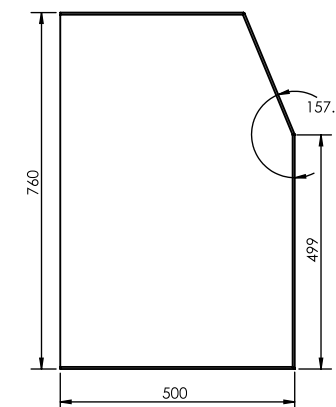
- SXA1000-DW - 850x421x121mm

This set Includes:

- 1 x SXA-EF Modular shelving End frame set
- 1 x SXA1000-BS Modular shelving 1000mm Back Section
- 2 x SXA1000-DW Modular shelving 1000mm Drawer unit (Wide)
- 1 x SXA1000-SN Modular shelving 1000mm Shelf (Narrow)
- 1 x SXA1000-LKW Lip kit for 1000mm drawer (Wide)



FRONT VIEW



SIDE VIEW

MODEL ID: MSXC-1000