

MSXB-750

SPEC SHEET

Modular shelving unit - MSXB-750

- Overall size - 750x760x500mm
- 1 x Narrow shelf
- 2 x Wide shelves
- 1 x Wide drawer unit

Shelf internal space dimensions

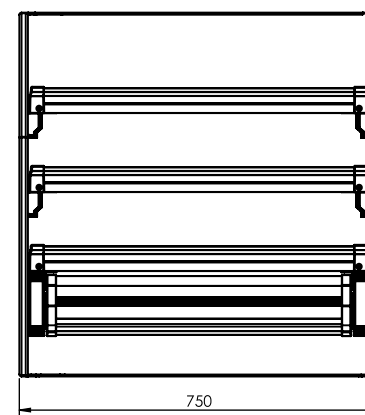
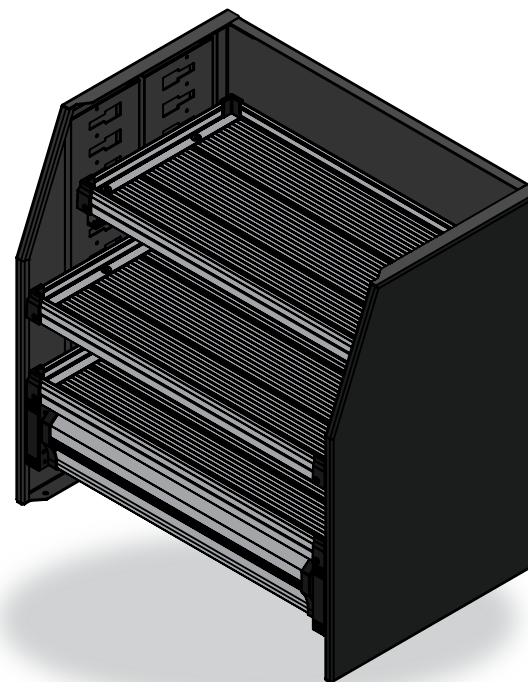
- SXA750-SN - 692x350mm
 - SXA750-SW - 692x470mm
 - SXA750-DW - 692x470mm
- (Lip heights - 35mm)

Drawer internal space dimensions

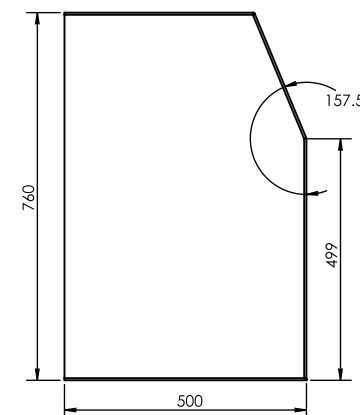
- SXA750-DW - 600x421x121mm

This set Includes:

- 1 x SXA-EF Modular shelving End frame set
- 1 x SXA750-BS Modular shelving 750mm Back Section
- 1 x SXA750-DW Modular shelving 750mm Drawer unit (Wide)
- 1 x SXA750-SN Modular shelving 750mm Shelf (Narrow)
- 1 x SXA750-SW Modular shelving 750mm Shelf (Wide)
- 1 x SXA750-LKW Lip kit for 750mm drawer (Wide)



FRONT VIEW



SIDE VIEW

MODEL ID: MSXB-750