

# MSXA-500

SPEC SHEET

## Modular shelving unit - MSXA-500

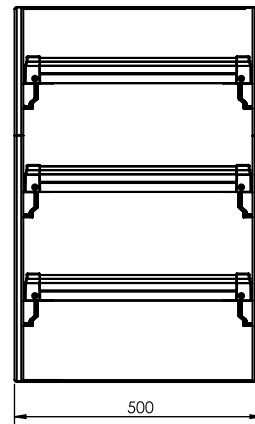
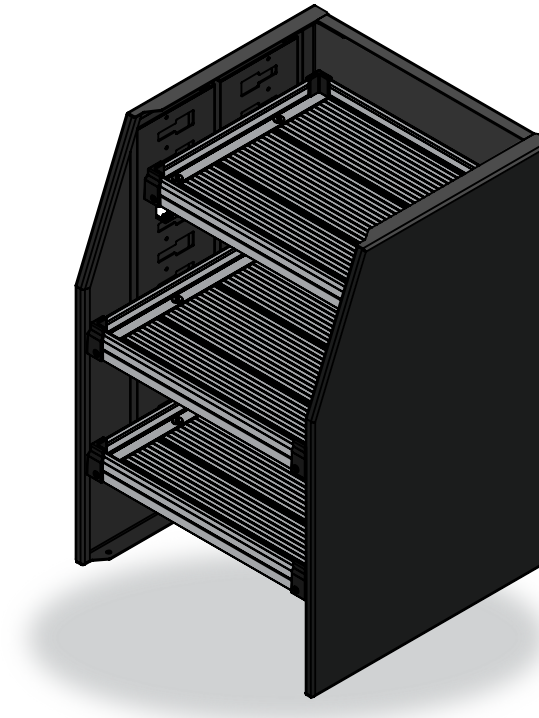
- Overall size - 500x760x500mm
- 1 x Narrow shelf
- 2 x Wide shelves

## Shelf internal space dimensions

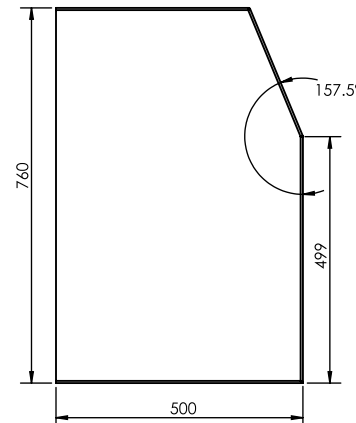
- SXA500-SN - 442x350mm
  - SXA500-SW - 442x470mm
- (Lip heights - 35mm)

## This set Includes:

- 1 x SXA-EF Modular shelving End frame set
- 1 x SXA500-BS Modular shelving 500mm Back Section
- 1 x SXA500-SN Modular shelving 500mm Shelf (Narrow)
- 2 x SXA500-SW Modular shelving 500mm Shelf (Wide)



FRONT VIEW



SIDE VIEW

MODEL ID: MSXA-500